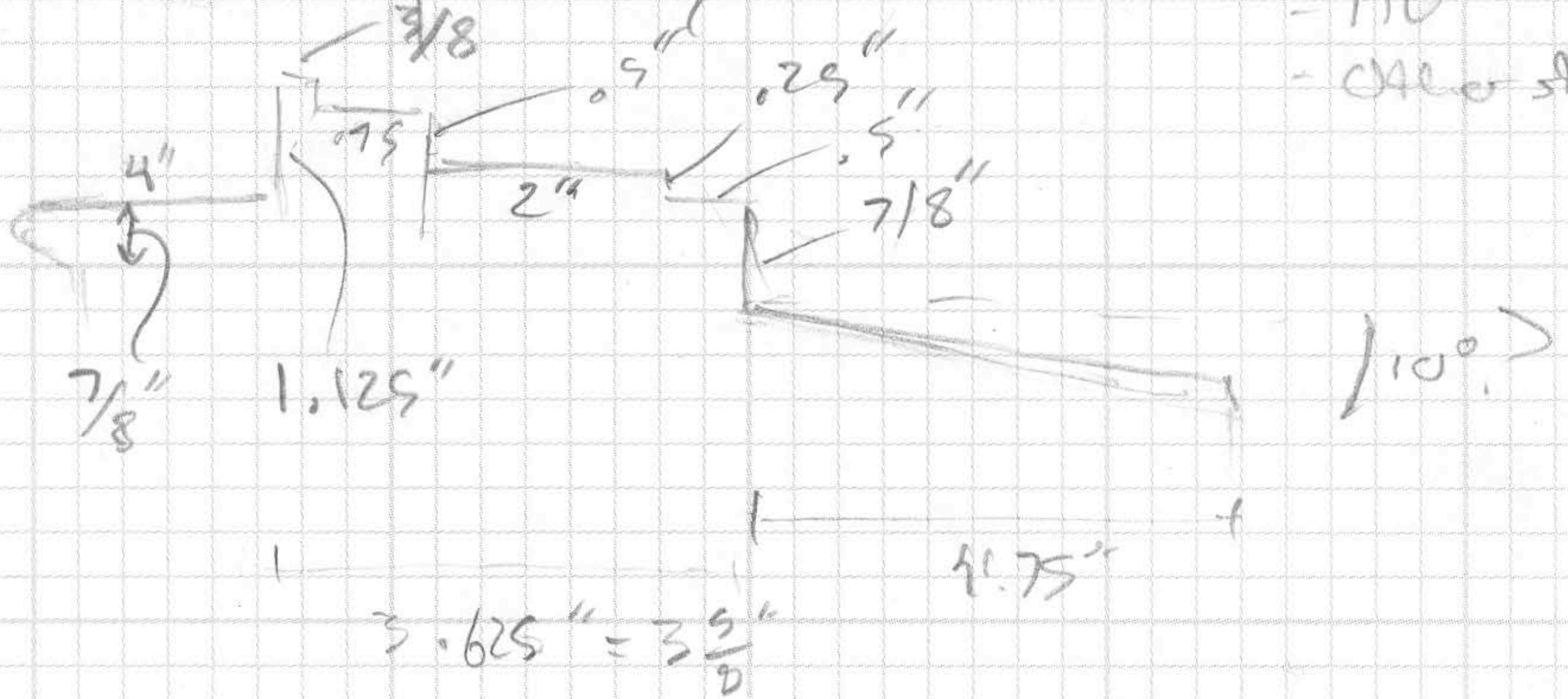


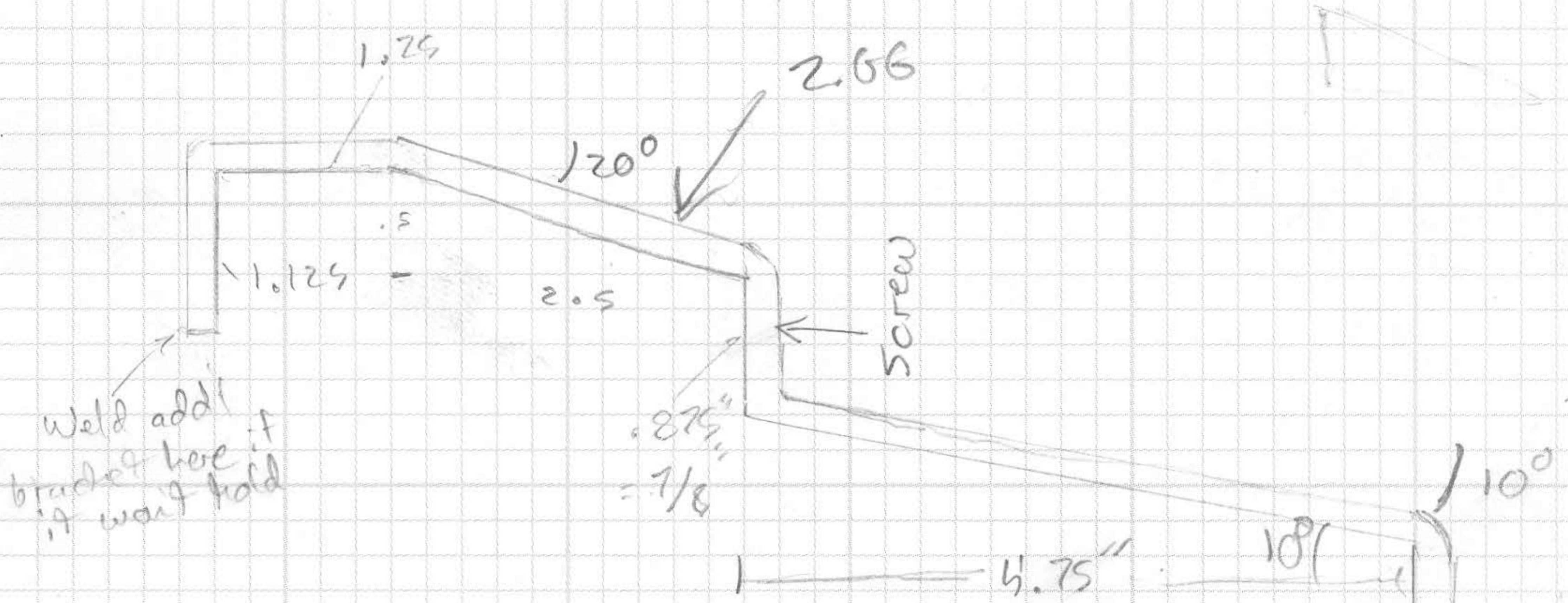
- House, ch. w/ ch. 5/16
- Sh. 10y
- HD
- Ch. store?

### Window 1 - facing courtyard



### Window 2 - Facing Street - identical

- Brackets - HR or CR steel, 1" x .25" x 3 3/4" x 2



$$\cos 10 = \frac{4.75}{x} \Rightarrow x = 4.92''$$

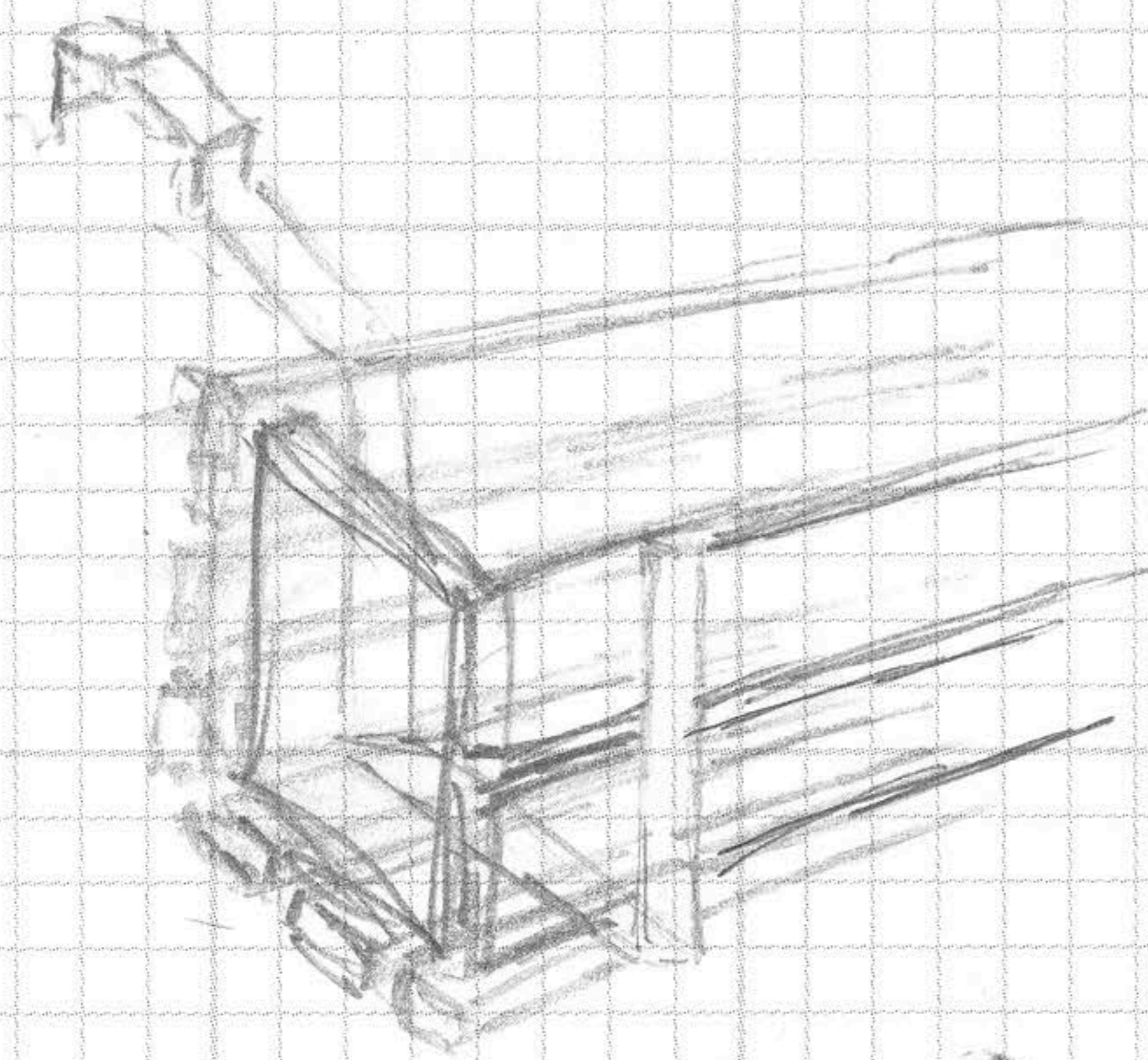
Need @ Home Depot:

- Wood

- CR/HR steel Jangp?

- Lacquer

- SS hardware (or galv.)

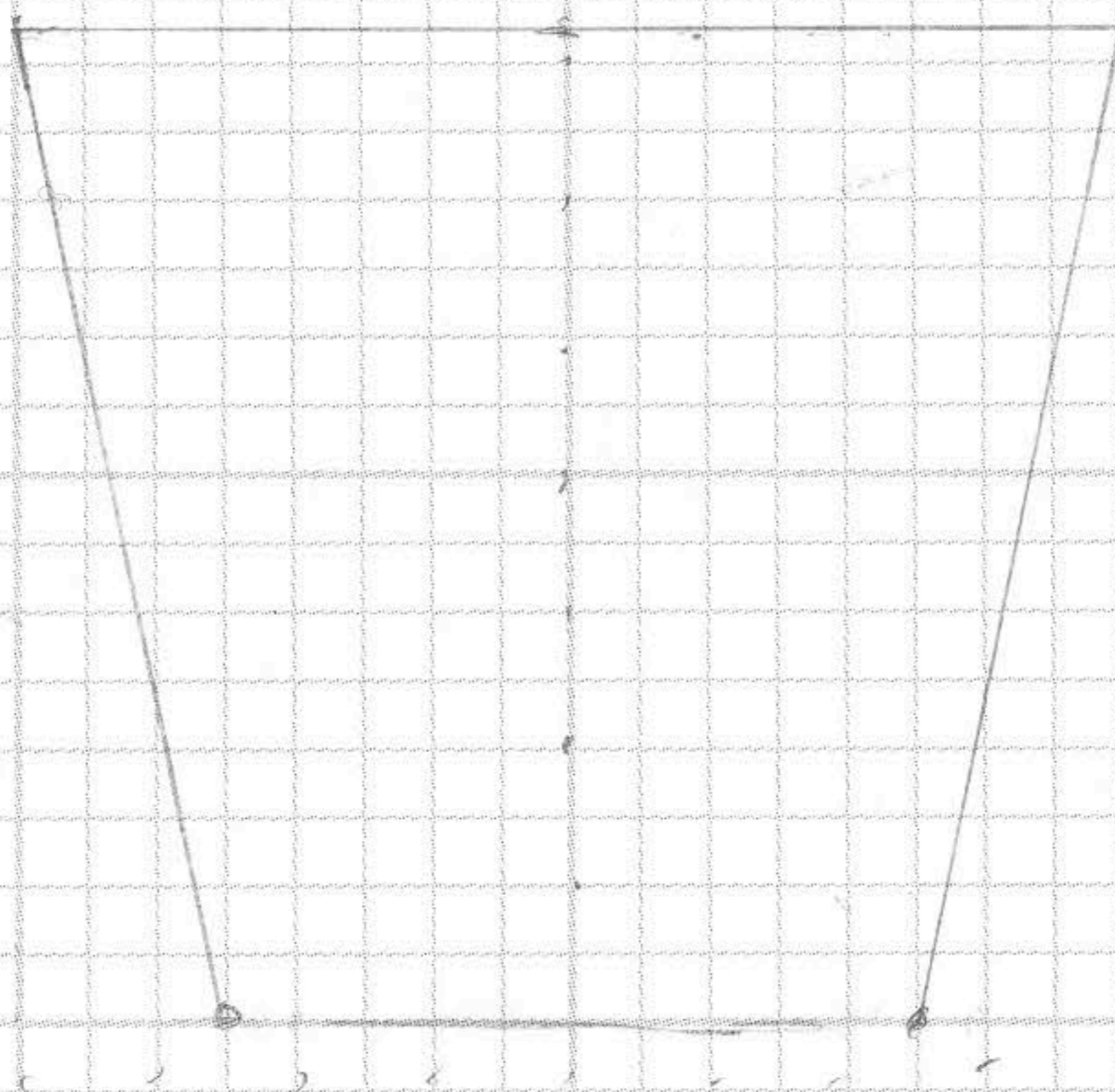


2x boards / side instead of 3x

Cabinet Industrial

Table

30 D x 37 H x 84 L



Boards: 5 3/8" wide → 2 boards, 2.625" wide