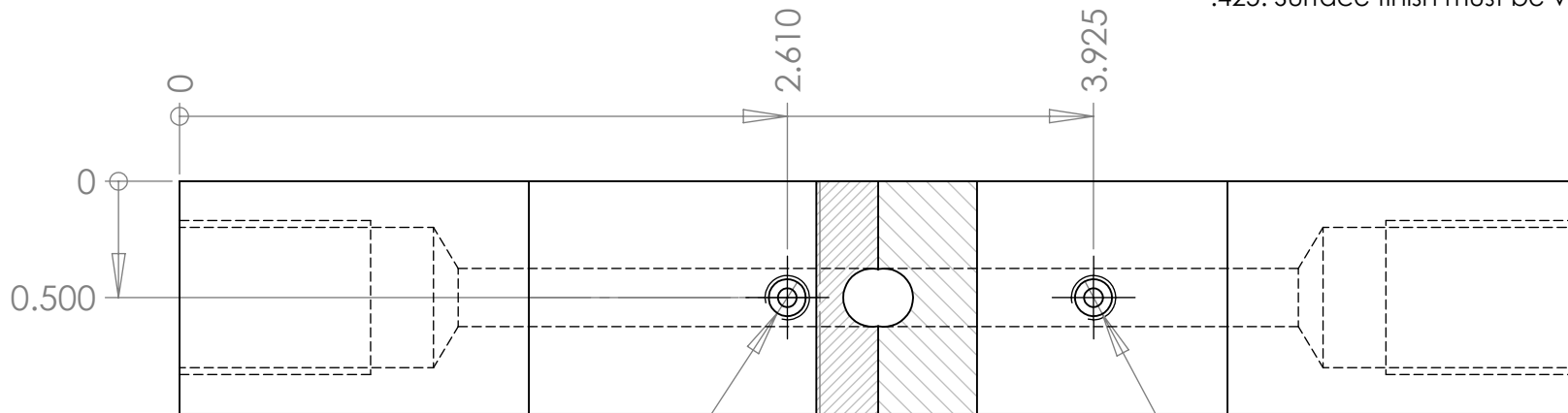
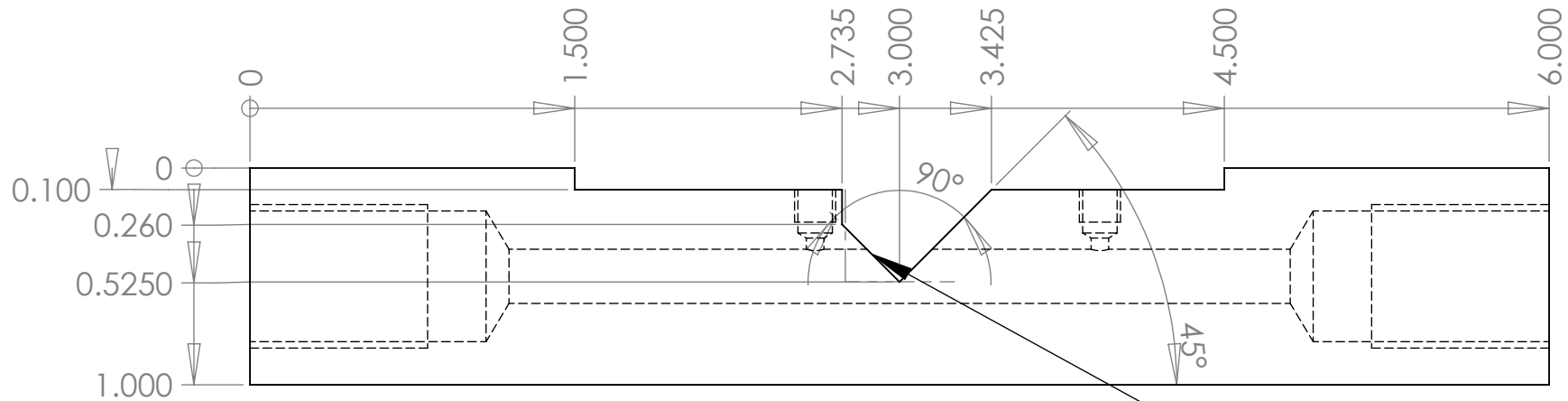
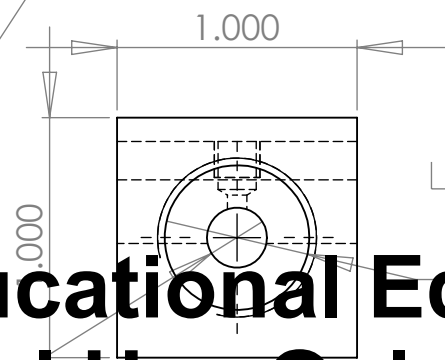


**SolidWorks Educational Edition.
For Instructional Use Only.**



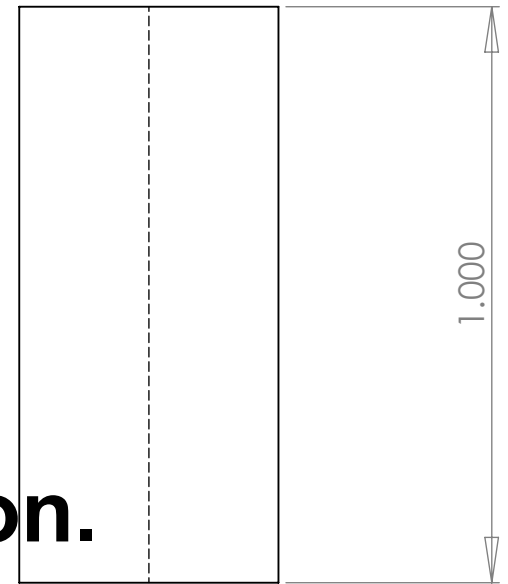
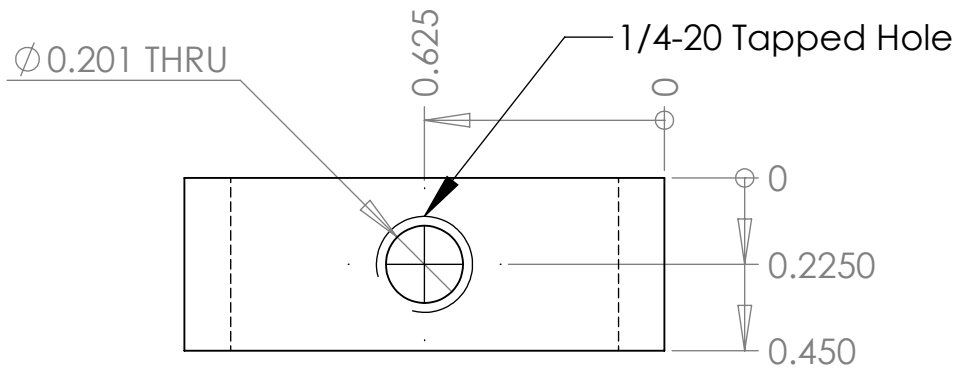
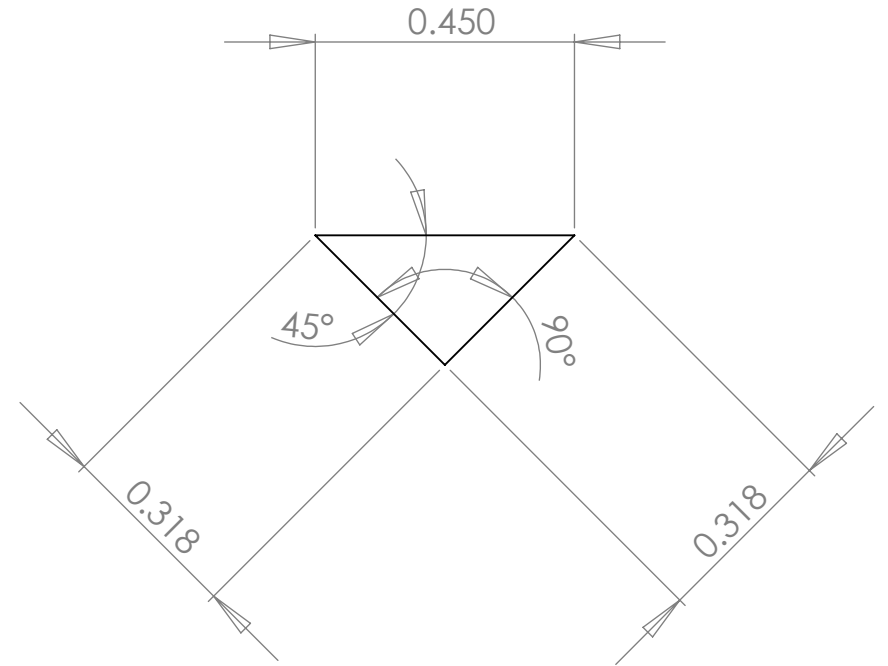
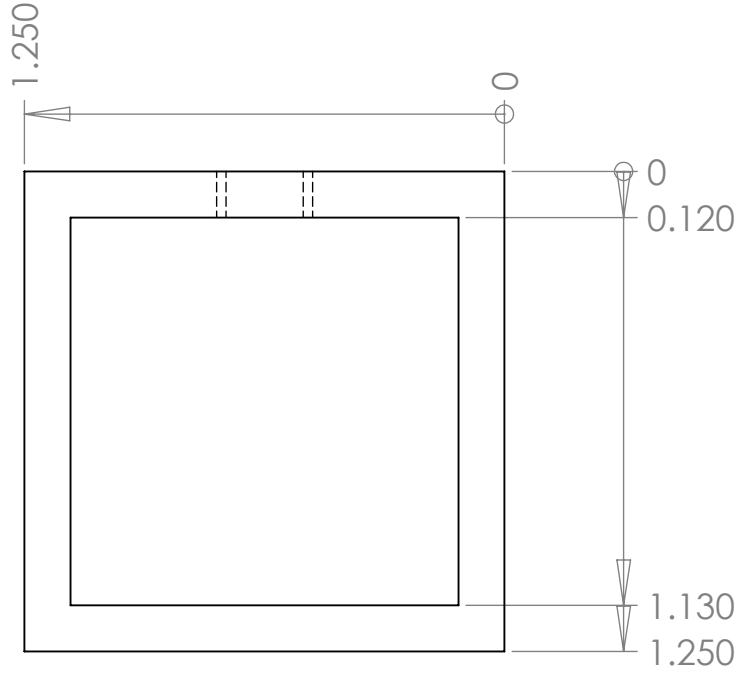
$\varnothing 0.081$ THRU
 $\varnothing 0.159 \nabla 0.200$
 Thread 1/4-20 NC

$\varnothing 0.081$ THRU
 $\varnothing 0.159 \nabla 0.200$
 Thread 1/4-20 NC



$\varnothing 0.250 \nabla 4.698$
 $\varnothing 0.603 \nabla 1.090$
 Thread 3/8 NPT
 (Both Sides)

SolidWorks Educational Edition.
For Instructional Use Only.



**SolidWorks Educational Edition.
For Instructional Use Only.**